



METAL FORM MANUFACTURING CO., INC  
 5960 WEST WASHINGTON STREET  
 PHOENIX, ARIZONA 85043  
 TELEPHONE: 602-233-1211 FAX: 602-233-2033  
 WEBSITE ADDRESS: WWW.MFMCA.COM

# Model MFLA-6-36 Fabricated Acoustical Louver

6" Deep Plain Blade  
 Regular or Low Pressure

## Specifications

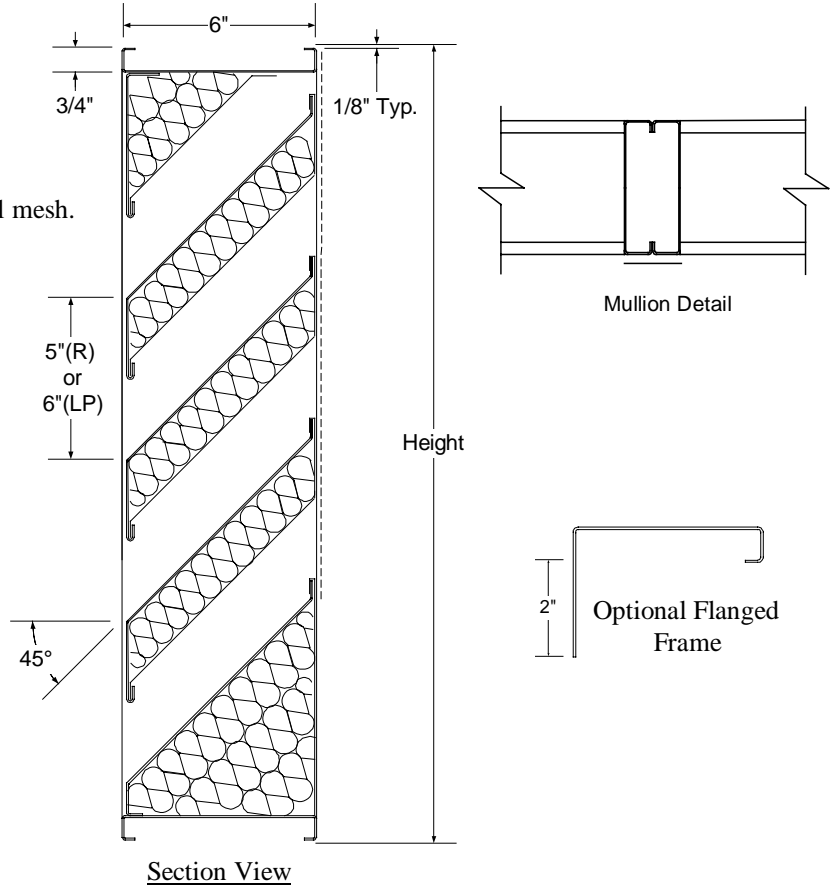
- Frame:** 18ga. galvanized channel frame.
- Blades:** 18ga. galvanized steel / 22ga. galvanized perforated steel.
- Insulation:** 2 lb. density fiberglass.
- Screen:** 1/2" x 1/2" x 19ga. galvanized steel mesh.
- Finish:** Standard mill.
- Minimum size:** 12" w x 18" h.
- Maximum size:** 72" w x 96" h.  
Multiple section - unlimited size.

## Options

- Flanged frame.
- Sill extension.
- Sleeves.
- Sub frame (requires flanged louver).
- Screens - Many variations of screens are available, consult factory.
- Finishes - Many types of finishes are available, consult factory.
- Other options are available, consult factory.

## Notes

1. Width x height are nominal opening dimensions. Unless specified otherwise, units will be constructed 1/4" undersize.
2. Metal Form reserves the right to improve design or change specifications at any time.



Tag	Qty.	Width	Height	No. of Panels (W x H)	Options	Finishes/Specify	Remarks

Project: \_\_\_\_\_  
 Architect: \_\_\_\_\_  
 Engineer: \_\_\_\_\_  
 Contractor: \_\_\_\_\_

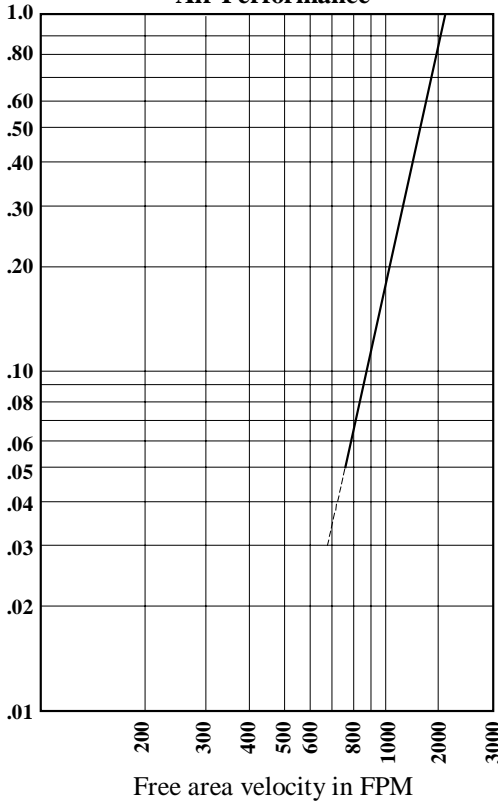
©1998 Metal Form Manufacturing Co., Inc.  
 Form No. LA-6-3698

Refer to back page for performance data.

# Model MFLA-6-36 Performance Data

## Regular Pressure

Air Performance



### Acoustical

Octave Band/Frequency.Hz	1/63	2/125	3/250	4/500	5/1k	6/2k	7/4k	8/8k
Transmission Loss. db	6	9	10	11	15	19	17	16
Noise Reduction.db	12	13	16	18	21	25	26	24

Free Area Chart - Sq. Ft.

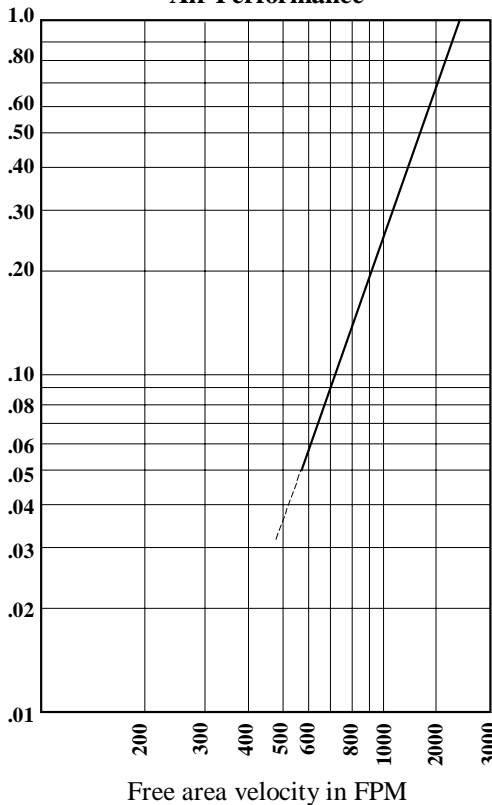
96	1.92	3.05	4.17	5.30	6.42	7.55	8.67	9.80	10.92	12.05	13.17
90	1.78	2.81	3.85	4.89	5.93	6.97	8.10	9.05	10.09	11.13	12.17
84	1.60	2.54	3.48	4.41	5.35	6.29	7.23	8.16	9.10	10.04	10.98
78	1.49	2.37	3.24	4.12	4.99	5.87	6.74	7.62	8.49	9.37	10.24
72	1.39	2.20	3.01	3.83	4.64	5.45	6.26	7.08	7.89	8.70	9.51
66	1.28	2.03	2.78	3.53	4.28	5.03	5.78	6.53	7.28	8.03	8.78
60	1.13	1.80	2.46	3.13	3.79	4.45	5.12	5.78	6.45	7.11	7.78
54	.96	1.52	2.09	2.65	3.21	3.77	4.34	4.90	5.46	6.02	6.59
48	.85	1.35	1.85	2.35	2.85	3.35	3.85	4.35	4.85	5.35	5.85
42	.75	1.18	1.62	2.06	2.50	2.93	3.37	3.81	4.25	4.68	5.12
36	.64	1.02	1.39	1.77	2.14	2.52	2.89	3.27	3.64	4.02	4.39
30	.49	.78	1.07	1.36	1.65	1.94	2.23	2.52	2.81	3.10	3.38
24	.32	.51	.70	.88	1.07	1.26	1.45	1.63	1.82	2.01	2.20
18	.21	.34	.46	.59	.71	.84	.96	1.09	1.21	1.34	1.46
	12	18	24	30	36	42	48	54	60	66	72

Height

Width

## Low Pressure

Air Performance



### Acoustical

Octave Band/Frequency.Hz	1/63	2/125	3/250	4/500	5/1k	6/2k	7/4k	8/8k
Transmission Loss. db	2	7	8	10	13	15	13	12
Noise Reduction.db	9	12	15	16	18	20	19	18

Free Area Chart - Sq. Ft.

96	2.44	3.86	5.29	6.71	8.14	9.56	10.99	12.42	13.84	15.27	16.69
90	2.27	3.60	4.93	6.27	7.60	8.93	10.26	11.59	12.92	14.25	15.58
84	2.11	3.35	4.58	5.82	7.05	8.29	9.53	10.76	12.00	13.23	14.47
78	1.95	3.09	4.23	5.37	6.51	7.65	8.79	9.93	11.07	12.21	13.35
72	1.79	2.83	3.88	4.92	5.97	7.01	8.06	9.11	10.15	11.20	12.24
66	1.62	2.57	3.52	4.48	5.43	6.38	7.33	8.28	9.23	10.18	11.13
60	1.46	2.32	3.17	4.03	4.88	5.74	6.59	7.45	8.31	9.16	10.02
54	1.30	2.06	2.82	3.58	4.34	5.10	5.86	6.62	7.38	8.14	8.90
48	1.14	1.80	2.47	3.13	3.80	4.46	5.13	5.79	6.46	7.12	7.79
42	.97	1.54	2.11	2.69	3.26	3.83	4.40	4.97	5.54	6.11	6.68
36	.81	1.29	1.76	2.24	2.71	3.19	3.66	4.14	4.61	5.09	5.56
30	.65	1.03	1.41	1.79	2.17	2.55	2.93	3.31	3.69	4.07	4.45
24	.49	.77	1.06	1.34	1.63	1.91	2.20	2.48	2.77	3.05	3.34
18	.32	.51	.70	.90	1.09	1.28	1.47	1.66	1.85	2.04	2.23
	12	18	24	30	36	42	48	54	60	66	72

Height

Width