



METAL FORM MANUFACTURING CO., INC  
 5960 WEST WASHINGTON STREET  
 PHOENIX, ARIZONA 85043  
 TELEPHONE: 602-233-1211 FAX: 602-233-2033  
 WEBSITE ADDRESS: WWW.MFMCA.COM

# Model MFL-30DB Fabricated Stationary Louver 6" Deep Drainable Blade

## Specifications

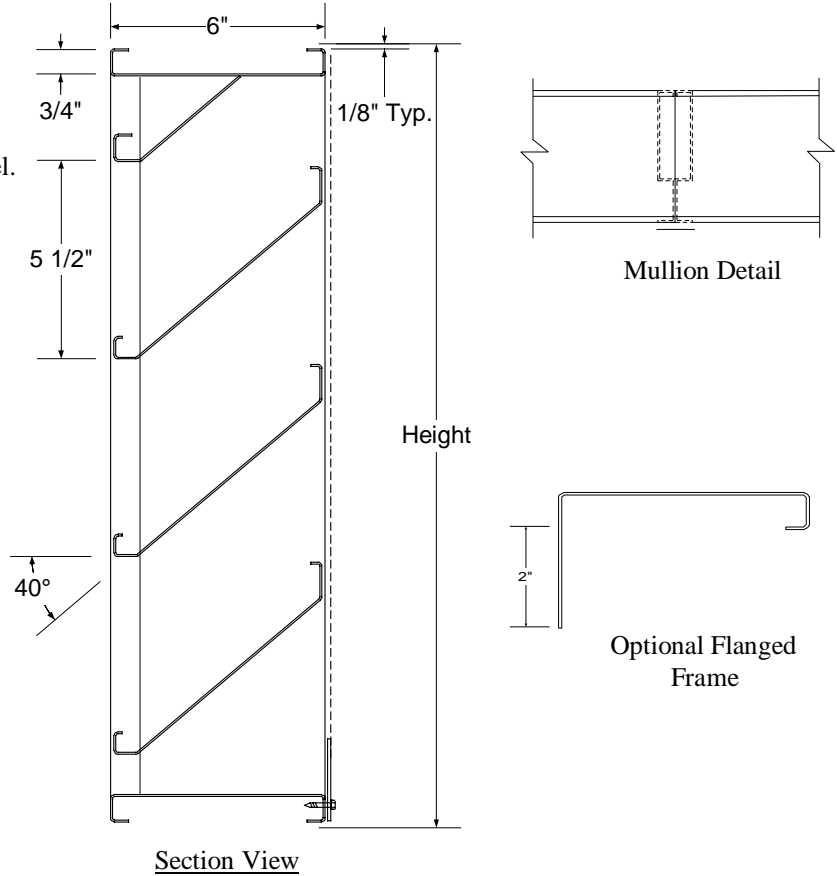
- Frame:** 18ga. galvanized steel channel frame.
- Blades:** 18ga. galvanized steel.
- Screen:** 1/2" x 1/2" x 19ga. galvanized steel.
- Finish:** Standard mill.
- Minimum size:** 12"w x 12"h.
- Maximum size:** 72"w x 96"h.  
Multiple section - unlimited size.

## Options

- Flanged frame.
- Sill extension.
- Sleeves.
- Sub frame (requires flanged louver).
- Screens - Many variations of screens are available, consult factory.
- Finishes - Many types of finishes are available, consult factory.
- Other options are available, consult factory.

## Notes

1. Width x height are nominal opening dimensions. Unless specified otherwise, units will be constructed 1/4" undersize.
2. Metal Form reserves the right to improve design or change specifications at any time.



Section View

**Model MFL-30DB is AMCA licensed for air performance and water penetration.**

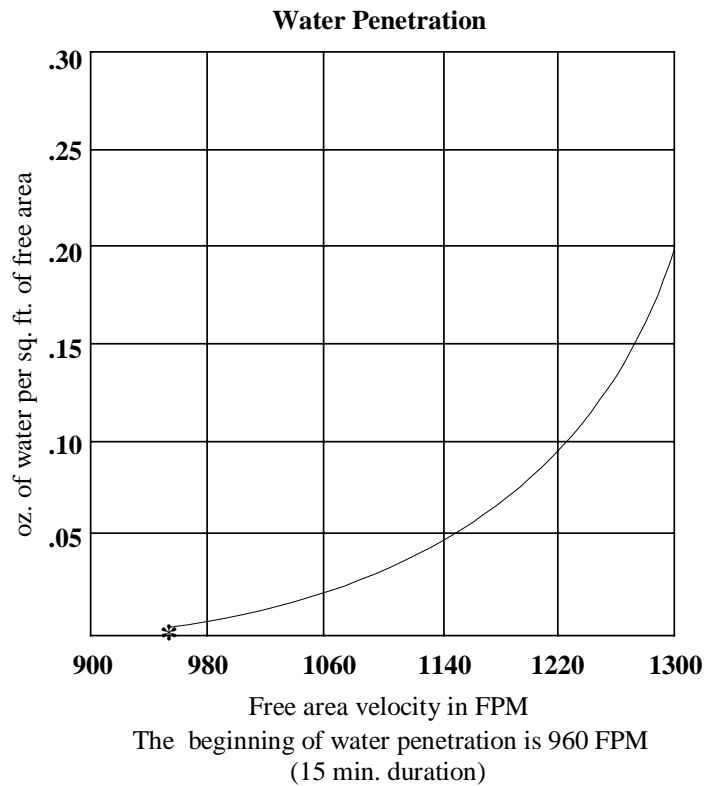
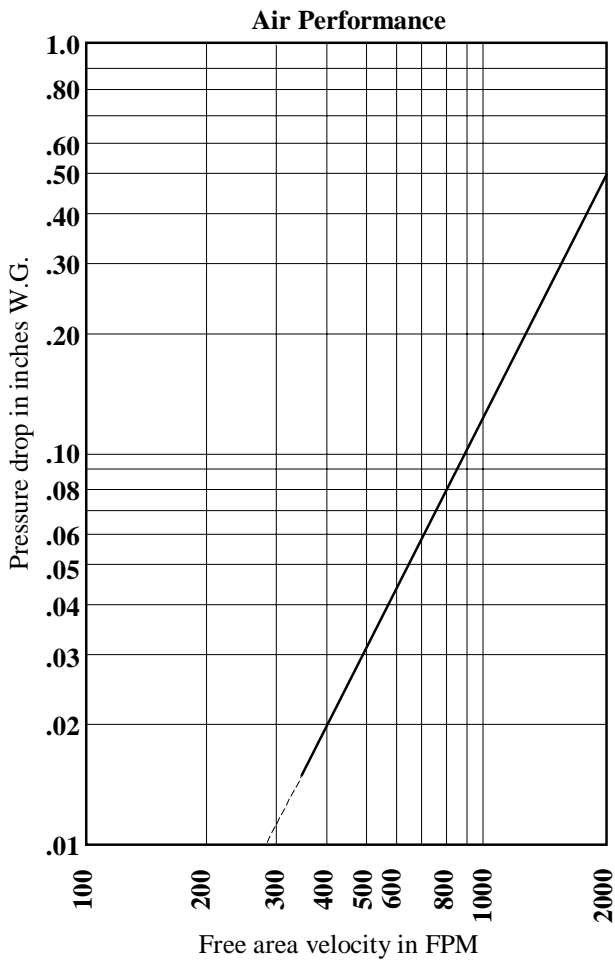
Tag	Qty.	Width	Height	No. of Panels (W x H)	Options	Finishes/Specify	Remarks

**Project:** \_\_\_\_\_  
**Architect:** \_\_\_\_\_  
**Engineer:** \_\_\_\_\_  
**Contractor:** \_\_\_\_\_

©1998 Metal Form Manufacturing Co., Inc.  
 Form No. L-30DB98

Refer to back page for performance data.

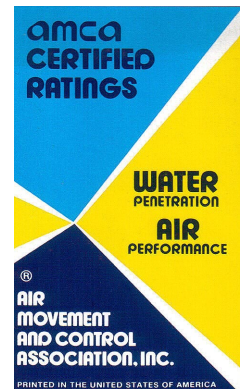
# Model MFL-30DB Performance Data



Test unit size 48" x 48"  
 Graphs are corrected to standard air density .075 lbs. per cubic feet.  
 Ratings do not include the effects of a bird screen.

**Free Area Chart - Sq. Ft.**

	<b>96</b>	<b>90</b>	<b>84</b>	<b>78</b>	<b>72</b>	<b>66</b>	<b>60</b>	<b>54</b>	<b>48</b>	<b>42</b>	<b>36</b>	<b>30</b>	<b>24</b>	<b>18</b>	<b>12</b>
<b>Height</b>	3.83	3.59	3.36	3.12	2.89	2.63	2.37	2.10	1.83	1.56	1.29	1.02	.77	.54	.31
	6.13	5.74	5.37	4.99	4.62	4.22	3.78	3.35	2.92	2.49	2.06	1.63	1.24	.87	.49
	8.43	7.90	7.38	6.87	6.35	5.80	5.20	4.61	4.02	3.43	2.84	2.24	1.71	1.19	.68
	10.73	10.05	9.39	8.74	8.08	7.38	6.62	5.87	5.12	4.36	3.61	2.86	2.18	1.52	.86
	13.03	12.20	11.41	10.61	9.81	8.96	8.04	7.13	6.21	5.30	4.38	3.47	2.64	1.84	1.05
	15.33	14.36	13.42	12.48	11.55	10.54	9.46	8.39	7.31	6.23	5.16	4.08	3.11	2.17	1.23
	17.63	16.51	15.43	14.36	13.28	12.12	10.88	9.64	8.41	7.17	5.93	4.69	3.57	2.50	1.42
	19.93	18.66	17.45	16.23	15.01	13.70	12.30	10.90	9.50	8.10	6.70	5.30	4.04	2.82	1.60
	22.23	20.82	19.46	18.10	16.74	15.28	13.72	12.16	10.60	9.04	7.48	5.92	4.51	3.15	1.79
	24.53	22.97	21.47	19.97	18.47	16.86	15.14	13.42	11.69	9.97	8.25	6.53	4.97	3.47	1.97
	26.83	25.13	23.49	21.84	20.20	18.44	16.56	14.67	12.79	10.91	9.02	7.14	5.44	3.80	2.16
	<b>12</b>	<b>18</b>	<b>24</b>	<b>30</b>	<b>36</b>	<b>42</b>	<b>48</b>	<b>54</b>	<b>60</b>	<b>66</b>	<b>72</b>				
	<b>Width</b>														



Metal Form certifies that the Model MFL-30DB shown herein is licensed to bear the AMCA Seal. The ratings shown are based on tests and procedure performed in accordance with AMCA Publication 511 and comply with the AMCA Certified Ratings Program. The AMCA Certified Ratings Seal applies to air performance ratings and water penetration ratings.