



METAL FORM MANUFACTURING CO., INC
 5960 WEST WASHINGTON STREET
 PHOENIX, ARIZONA 85043
 TELEPHONE: 602-233-1211 FAX: 602-233-2033
 WEBSITE ADDRESS: WWW.MFMCA.COM

Model MFL-27 Fabricated Adjustable Louver 4" Deep Plain Blade

Specifications

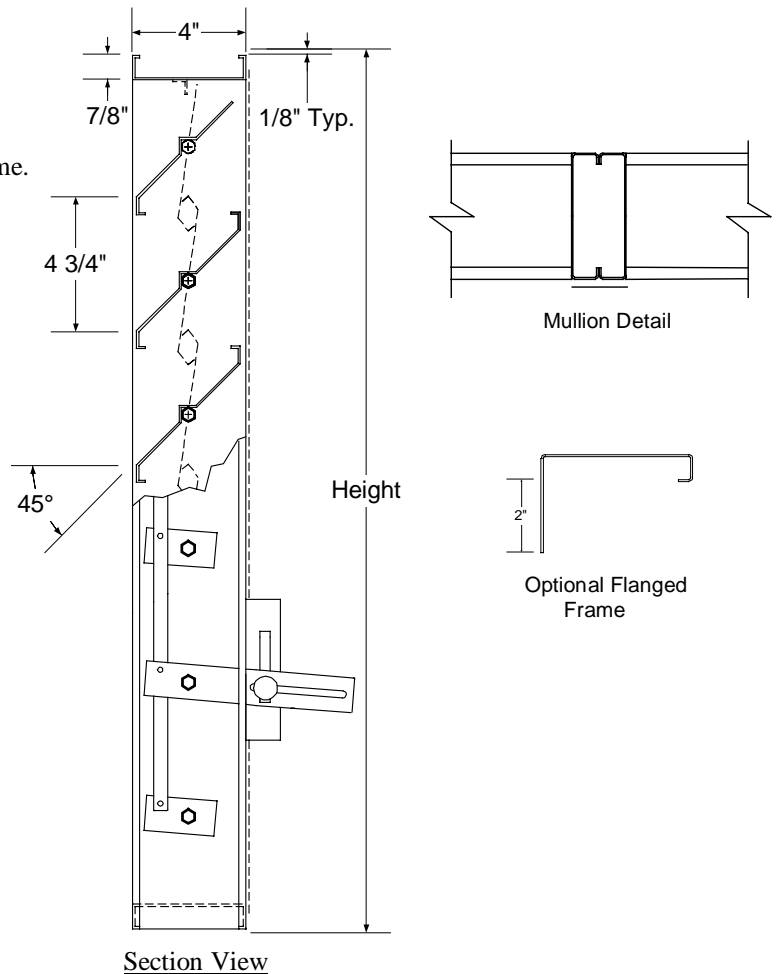
- Frame:** 18ga. galvanized steel channel frame.
- Blades:** 18ga. galvanized steel.
- Bearings:** Molded nylon.
- Axes:** 7/16" hex plated steel.
- Linkage:** Heavy duty plated steel concealed in frame.
- Screen:** 1/2" x 1/2" x 19ga. galvanized steel.
- Finish:** Standard mill.
- Minimum size:** 12"w x 12"h.
- Maximum size:** 60"w x 96"h.
Multiple section - unlimited size.

Options

- Flanged frame.
- Blade seals.
- Stainless steel side seals.
- Sill extension.
- Sleeves.
- Sub frame (requires flanged louver).
- Screens - Many variations of screens are available, consult factory.
- Finishes - Many types of finishes are available, consult factory.
- Other options are available, consult factory.

Notes

1. Width x height are nominal opening dimensions. Unless specified otherwise, units will be constructed 1/4" undersize.
2. Metal Form reserves the right to improve design or change specifications at any time.



Tag	Qty.	Width	Height	No. of Panels (W x H)	Options	Finishes/Specify	Remarks

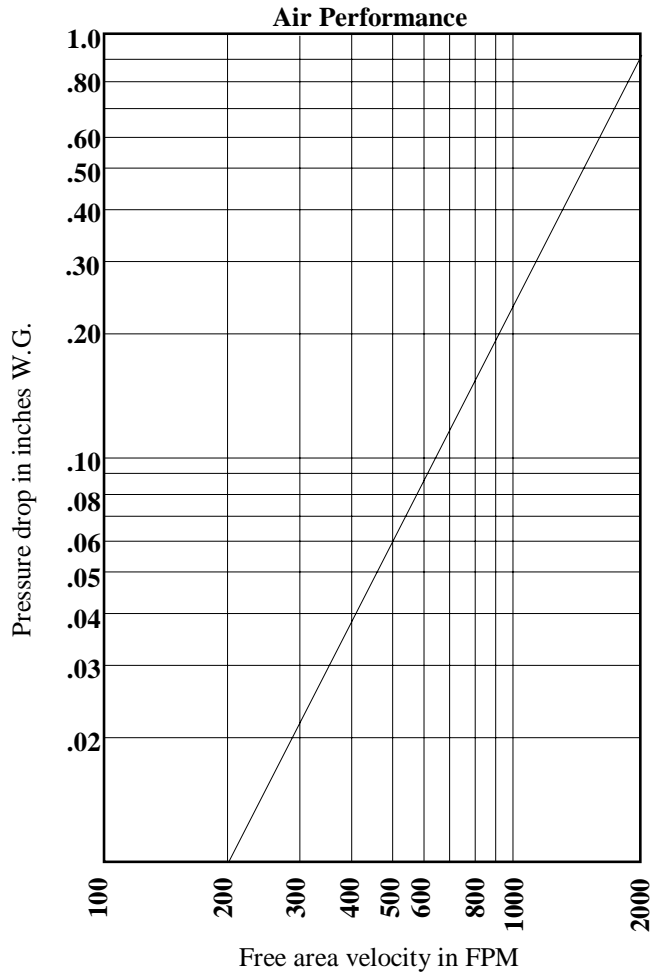
Project: _____
Architect: _____
Engineer: _____
Contractor: _____

©1998 Metal Form Manufacturing Co., Inc.
 Form No. L-2798

Refer to back page for performance data.

Model MFL-27

Performance Data



Test unit size 48" x 48"
 Graphs are corrected to standard air density .075 lbs. per cubic feet.
 Ratings do not include the effects of a bird screen.

Free Area Chart - Sq. Ft.

	96	3.24	5.14	7.04	8.93	10.83	12.73	14.62	16.52	18.42	20.32	22.21
	90	3.03	4.79	6.57	8.34	10.11	11.88	13.65	15.42	17.19	18.96	20.73
	84	2.77	4.39	6.01	7.63	9.25	10.87	12.50	14.12	15.74	17.36	18.98
	78	2.57	4.08	5.59	7.09	8.60	10.11	11.61	13.12	14.63	16.13	17.64
	72	2.41	3.82	5.22	6.63	8.04	9.45	10.86	12.27	13.68	15.09	16.50
	66	2.17	3.44	4.72	5.99	7.26	8.53	9.81	11.08	12.35	13.62	14.89
	60	1.92	3.04	4.16	5.28	6.41	7.53	8.65	9.77	10.90	12.02	13.14
	54	1.74	2.76	3.78	4.79	5.81	6.83	7.85	8.87	9.88	10.90	11.92
	48	1.57	2.49	3.41	4.33	5.25	6.18	7.10	8.02	8.94	9.86	10.78
	42	1.32	2.09	2.84	3.64	4.42	5.19	5.96	6.74	7.51	8.28	9.06
	36	1.07	1.70	2.33	2.95	3.58	4.21	4.84	5.47	6.09	6.72	7.35
	30	.91	1.44	1.96	2.50	3.03	3.56	4.09	4.61	5.14	5.67	6.20
	24	.73	1.15	1.57	2.00	2.42	2.85	3.27	3.70	4.12	4.55	4.97
	18	.47	.74	1.02	1.29	1.57	1.84	2.11	2.39	2.67	2.94	3.22
	12	.24	.38	.52	.66	.80	.93	1.07	1.21	1.35	1.49	1.63
		12	18	24	30	36	42	48	54	60	66	72

Width