



METAL FORM MANUFACTURING CO., INC
 5960 WEST WASHINGTON STREET
 PHOENIX, ARIZONA 85043
 TELEPHONE: 602-233-1211 FAX: 602-233-2033
 WEBSITE ADDRESS: WWW.MFMCA.COM

Model MFL-25 Fabricated Stationary Louver 4" Deep Chevron Blade

Specifications

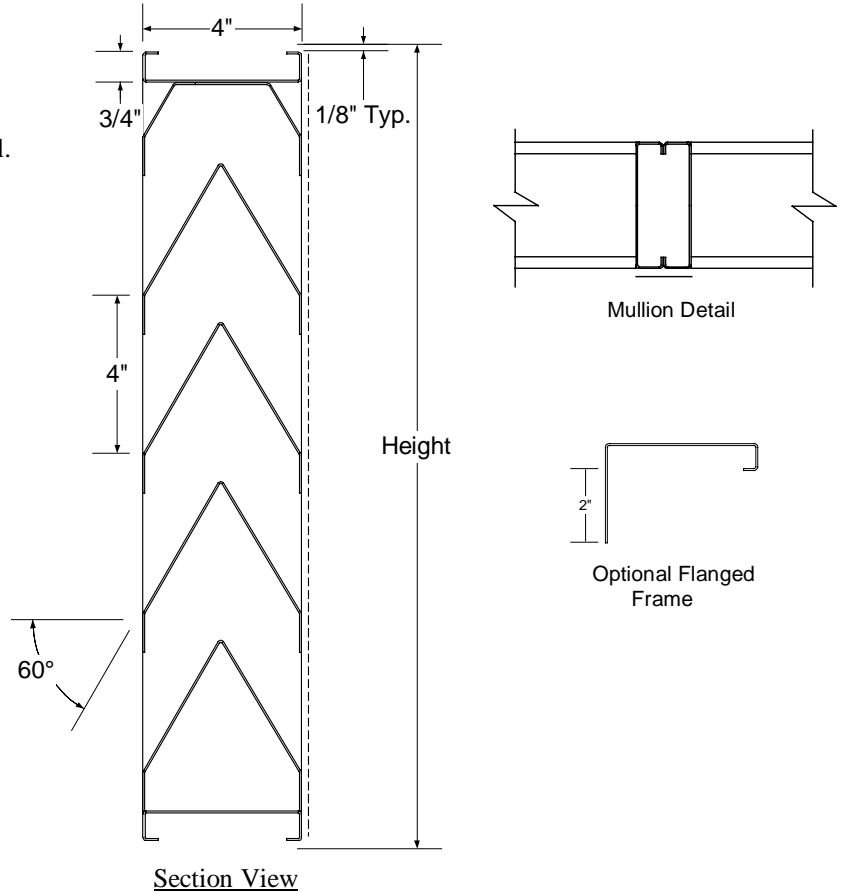
- Frame:** 18ga. galvanized steel channel frame.
Blades: 18ga. galvanized steel.
Screen: 1/2" x 1/2" x 19ga. galvanized steel.
Finish: Standard mill.
Minimum size: 12" w x 12" h.
Maximum size: 72" w x 96" h.
 Multiple section - unlimited size.

Options

- Flanged frame.
- Vertical blades.
- Sill extension.
- Sleeves.
- Sub frame (requires flanged louver).
- Screens - Many variations of screens are available, consult factory.
- Finishes - Many types of finishes are available, consult factory.
- Other options are available, consult factory.

Notes

1. Width x height are nominal opening dimensions. Unless specified otherwise, units will be constructed 1/4" undersize.
2. Metal Form reserves the right to improve design or change specifications at any time.



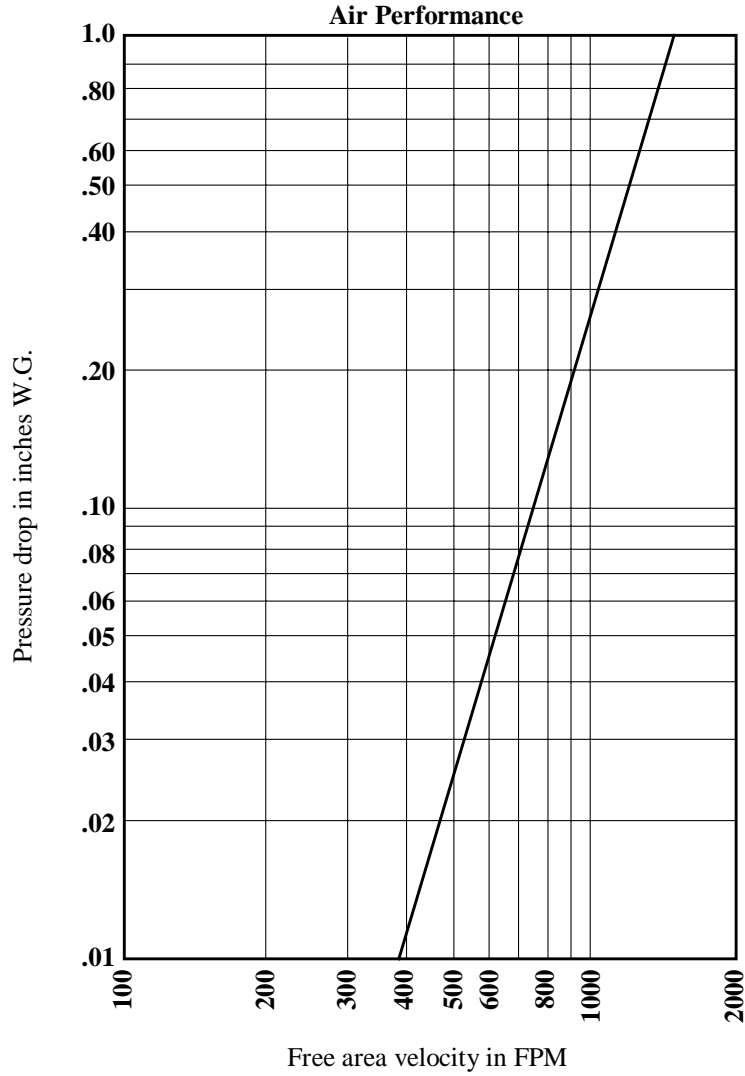
Tag	Qty.	Width	Height	No. of Panels (W x H)	Options	Finishes/Specify	Remarks

Project: _____
Architect: _____
Engineer: _____
Contractor: _____

©1998 Metal Form Manufacturing Co., Inc.
 Form No. L-2598

Refer to back page for performance data.

Model MFL-25 Performance Data



Test unit size 48" x 48"
 Graphs are corrected to standard air density .075 lbs. per cubic feet.
 Ratings do not include the effects of a bird screen.

Free Area Chart - Sq. Ft.

	96	2.35	3.73	5.11	6.49	7.86	9.24	10.62	12.00	13.37	14.75	16.13
	90	2.15	3.41	4.66	5.92	7.18	8.44	9.70	10.95	12.21	13.47	14.73
	84	2.05	3.24	4.44	5.64	6.84	8.04	9.23	10.43	11.63	12.83	14.03
	78	1.84	2.92	4.00	5.08	6.15	7.23	8.31	9.39	10.47	11.54	12.62
	72	1.74	2.76	3.78	4.79	5.81	6.83	7.85	8.87	9.89	10.90	11.92
	66	1.53	2.43	3.33	4.23	5.13	6.03	6.93	7.82	8.72	9.62	10.52
	60	1.43	2.27	3.11	3.95	4.79	5.63	6.46	7.30	8.14	8.98	9.82
	54	1.23	1.95	2.67	3.38	4.10	4.82	5.54	6.26	6.98	7.70	8.42
	48	1.13	1.78	2.44	3.10	3.76	4.42	5.08	5.74	6.40	7.06	7.71
	42	.92	1.46	2.00	2.54	3.08	3.62	4.16	4.69	5.23	5.77	6.31
	36	.81	1.30	1.78	2.26	2.74	3.21	3.69	4.17	4.65	5.13	5.61
	30	.61	.97	1.33	1.69	2.05	2.41	2.77	3.13	3.49	3.85	4.21
	24	.51	.81	1.11	1.41	1.71	2.01	2.31	2.61	2.91	3.21	3.51
	18	.31	.49	.67	.85	1.03	1.21	1.39	1.56	1.74	1.92	2.10
	12	.20	.32	.44	.56	.68	.80	.92	1.04	1.16	1.28	1.40
Height		12	18	24	30	36	42	48	54	60	66	72
		Width										