



METAL FORM MANUFACTURING CO., INC
 5960 WEST WASHINGTON STREET
 PHOENIX, ARIZONA 85043
 TELEPHONE: 602-233-1211 FAX: 602-233-2033
 WEBSITE ADDRESS: WWW.MFMCA.COM

Model MFL-24DB Fabricated Stationary Louver 4" Deep Drainable Blade

Specifications

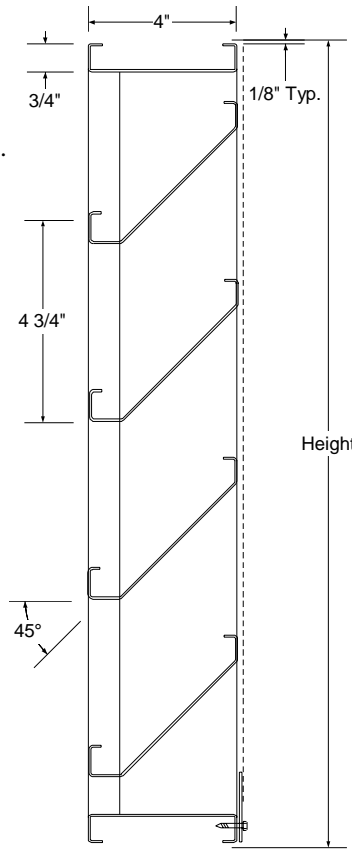
- Frame:** 18ga. galvanized steel channel frame.
- Blades:** 18ga. galvanized steel.
- Screen:** 1/2" x 1/2" x 19ga. galvanized steel.
- Finish:** Standard mill.
- Minimum size:** 12"w x 12"h.
- Maximum size:** 72"w x 96"h.
- Multiple section - unlimited size.**

Options

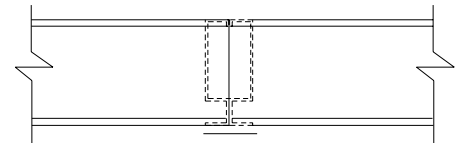
- Flanged frame.
- Sill extension.
- Sleeves.
- Sub frame (requires flanged louver).
- Screens - Many variations of screens are available, consult factory.
- Finishes - Many types of finishes are available, consult factory.
- Other options available, consult factory.

Notes

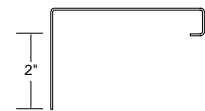
1. Width x height are nominal opening dimensions. Unless specified otherwise, units will be constructed 1/4" undersize.
2. Metal Form reserves the right to improve design or change specifications at any time.



Section View



Mullion Detail



Optional Flanged Frame

Tag	Qty.	Width	Height	No. of Panels (W x H)	Options	Finishes/Specify	Remarks

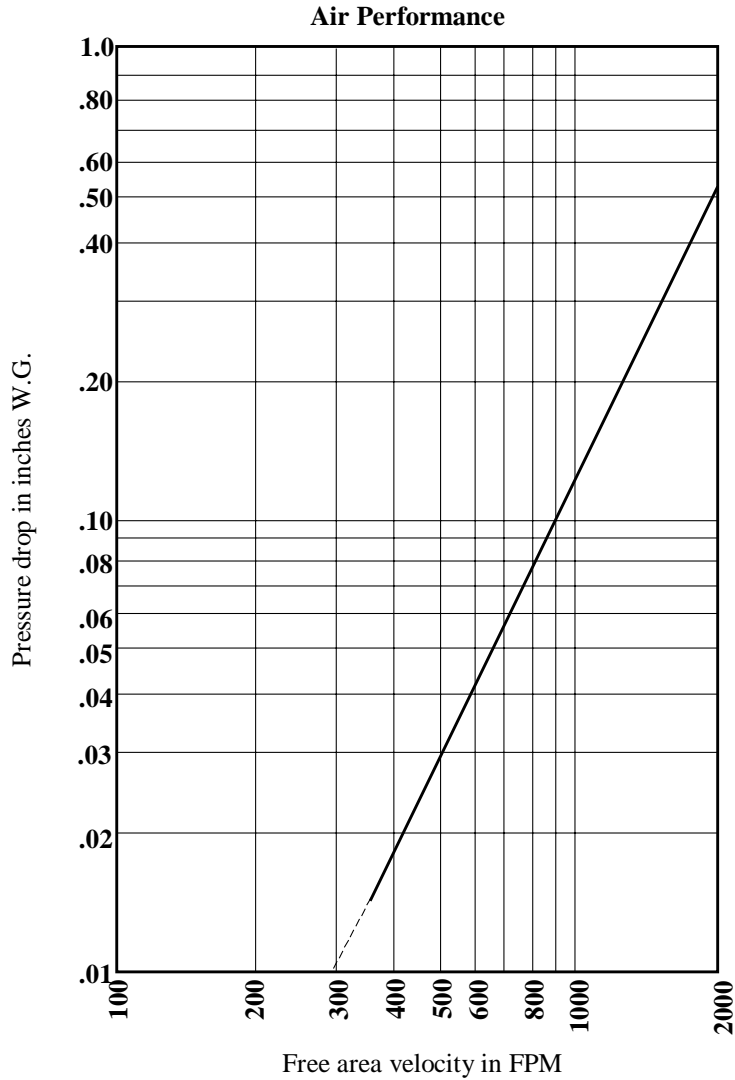
Project: _____
Architect: _____
Engineer: _____
Contractor: _____

©1998 Metal Form Manufacturing Co., Inc.
 Form No. L-24DB98

Refer to back page for performance data.

Model MFL-24DB

Performance Data



Test unit size 48" x 48"
 Graphs are corrected to standard air density .075 lbs. per cubic feet.
 Ratings do not include the effects of a bird screen.

Free Area Chart - Sq. Ft.

Height	96	3.49	5.59	7.69	9.79	11.88	13.98	16.08	18.17	20.27	22.37	24.46
	90	3.28	5.25	7.22	9.18	11.15	13.11	15.09	17.05	19.02	20.99	22.96
	84	3.01	4.82	6.62	8.43	10.24	12.05	13.86	15.66	17.47	19.28	21.09
	78	2.77	4.44	6.10	7.77	9.43	11.09	12.76	14.42	16.09	17.75	19.42
	72	2.59	4.15	5.71	7.26	8.82	10.37	11.93	13.49	15.04	16.60	18.15
	66	2.36	3.78	5.19	6.61	8.03	9.44	10.86	12.28	13.69	15.11	16.53
	60	2.09	3.35	4.61	5.86	7.12	8.37	9.63	10.89	12.14	13.40	14.66
	54	1.87	3.00	4.12	5.24	6.37	7.49	8.61	9.74	10.86	11.98	13.11
	48	1.69	2.71	3.72	4.74	5.75	6.77	7.78	8.80	9.81	10.83	11.84
	42	1.44	2.31	3.17	4.04	4.90	5.77	6.63	7.50	8.36	9.23	10.09
	36	1.17	1.88	2.58	3.29	3.99	4.70	5.40	6.11	6.81	7.52	8.22
	30	.97	1.55	2.14	2.72	3.30	3.88	4.47	5.05	5.63	6.21	6.80
	24	.79	1.26	1.74	2.21	2.69	3.16	3.64	4.11	4.58	5.06	5.53
18	.52	.84	1.15	1.47	1.78	2.09	2.41	2.72	3.04	3.35	3.66	
12	.26	.41	.56	.72	.87	1.02	1.18	1.33	1.49	1.64	1.79	
	12	18	24	30	36	42	48	54	60	66	72	
	Width											