

# Model MFL-22

## Fabricated Stationary Louver

### 4" Deep Baffled Blade

## Specifications

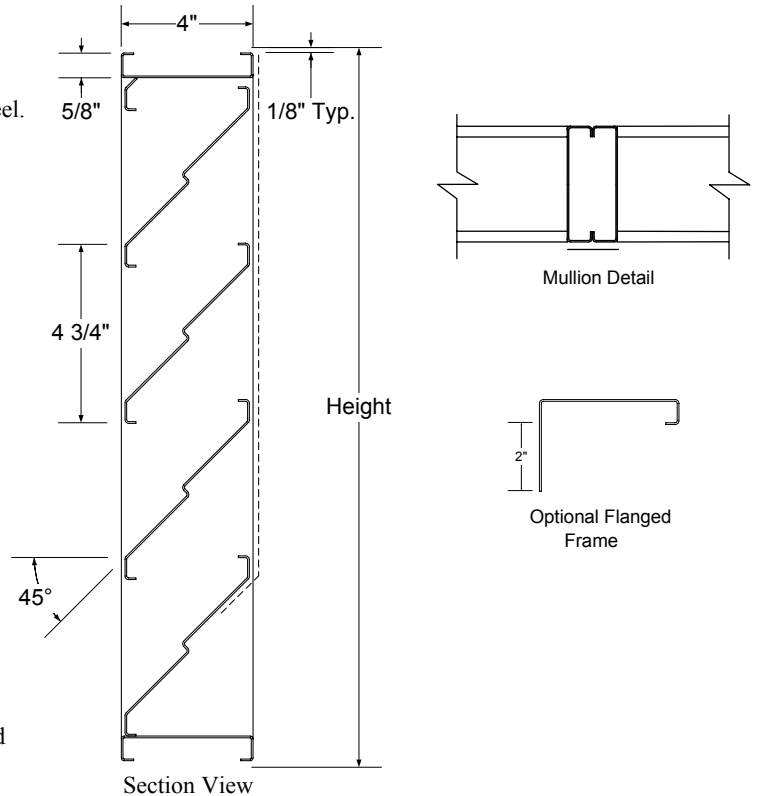
- Frame:** 18ga. galvanized steel channel frame.  
**Blades:** 18ga. galvanized steel.  
**Screen:** 1/2" x 1/2" x 19ga. galvanized steel.  
**Finish:** Standard mill.  
**Minimum size:** 12"w x 12"h.  
**Maximum size:** 72"w x 120"h.  
**size:** Multiple section - unlimited size.

## Options

- Flanged frame.
- Architectural mullions.
- Sill extension.
- Sleeves.
- Sub frame (requires flanged louver).
- Screens - Many variations of screens are available, consult factory.
- Finishes - Many types of finishes are available, consult factory.
- Other options are available, consult factory.

## Notes

1. Width x height are nominal opening dimensions. Unless specified otherwise, units will be constructed 1/4" undersize.
2. Metal Form reserves the right to improve design or change specifications at any time.

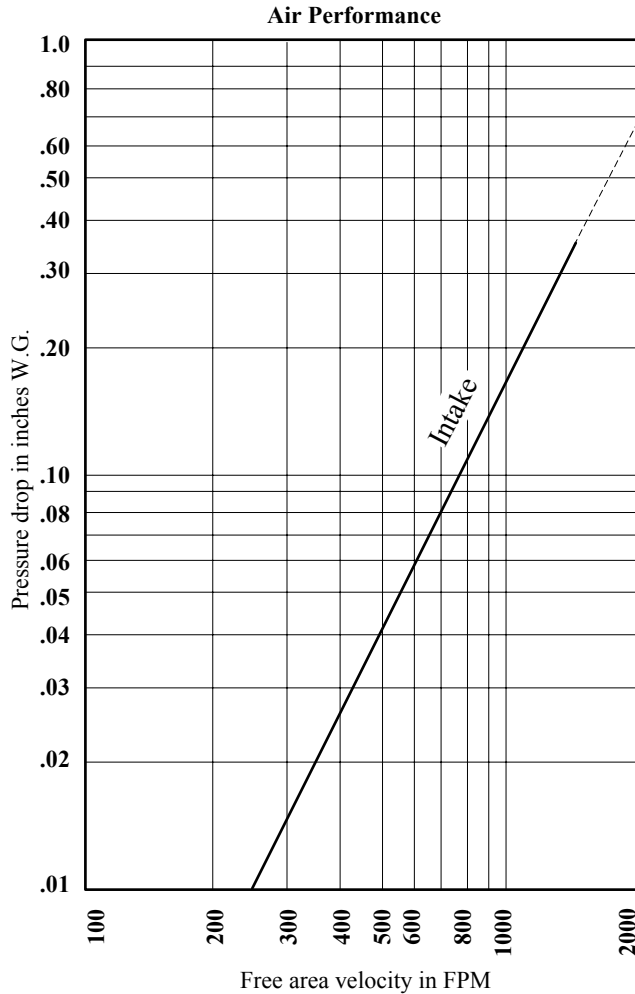


Model MFL-22 is AMCA licensed for air performance.

Tag	Qty.	Width	Height	No. of Panels (W x H)	Options	Finishes/Specify	Remarks

**Project:** \_\_\_\_\_  
**Architect:** \_\_\_\_\_  
**Engineer:** \_\_\_\_\_  
**Contractor:** \_\_\_\_\_

# Model MFL-22 Performance Data



Metal Form certifies that the Model MFL-22 shown herein is licensed to bear the AMCA Seal. The ratings shown are based on tests and procedures performed in accordance with AMCA Publication 511 and comply with the AMCA Certified Ratings Program. The AMCA Certified Ratings Seal applies to air performance ratings only.

Test unit size 48" x 48"  
Graphs are corrected to standard air density .075 lbs. per cubic feet.  
Ratings do not include the effects of a bird screen.

**Free Area Chart - Sq. Ft.**

<b>Height</b>	<b>120</b>	3.69	5.81	7.92	10.03	12.15	14.26	16.37	18.48	20.59	22.71	24.82
	<b>108</b>	3.26	5.12	6.99	8.85	10.72	12.58	14.44	16.31	18.17	20.03	21.90
	<b>96</b>	2.98	4.64	6.30	7.97	9.63	11.29	12.95	14.62	16.28	17.94	19.60
	<b>84</b>	2.60	4.05	5.51	6.96	8.41	9.86	11.31	12.77	14.22	15.67	17.12
	<b>72</b>	2.19	3.42	4.64	5.87	7.09	8.32	9.54	10.77	11.99	13.22	14.44
	<b>66</b>	2.04	3.18	4.31	5.45	6.59	7.73	8.86	10.00	11.14	12.28	13.41
	<b>60</b>	1.80	2.80	3.81	4.81	5.82	6.82	7.82	8.83	9.83	10.84	11.84
	<b>54</b>	1.57	2.44	3.32	4.19	5.07	5.94	6.82	7.69	8.57	9.44	10.32
	<b>48</b>	1.41	2.20	2.99	3.77	4.56	5.35	6.14	6.92	7.71	8.50	9.29
	<b>42</b>	1.25	1.94	2.64	3.33	4.03	4.73	5.42	6.12	6.81	7.51	8.21
	<b>36</b>	1.00	1.55	2.11	2.67	3.22	3.78	4.33	4.89	5.45	6.00	6.56
	<b>30</b>	0.78	1.22	1.66	2.10	2.53	2.97	3.41	3.85	4.28	4.72	5.16
	<b>24</b>	0.63	0.98	1.33	1.68	2.03	2.38	2.73	3.08	3.43	3.78	4.13
<b>18</b>	0.44	0.69	0.94	1.19	1.44	1.68	1.93	2.18	2.43	2.68	2.92	
<b>12</b>	0.19	0.30	0.41	0.52	0.63	0.74	0.84	0.95	1.06	1.17	1.23	
	<b>12</b>	<b>18</b>	<b>24</b>	<b>30</b>	<b>36</b>	<b>42</b>	<b>48</b>	<b>54</b>	<b>60</b>	<b>66</b>	<b>72</b>	
	<b>Width</b>											