



METAL FORM MANUFACTURING CO., INC  
 5960 WEST WASHINGTON STREET  
 PHOENIX, ARIZONA 85043  
 TELEPHONE: 602-233-1211 FAX: 602-233-2033  
 WEBSITE ADDRESS: WWW.MFMCA.COM

# Model MFL-19 Fabricated Stationary Louver 2" Deep Baffled Blade

## Specifications

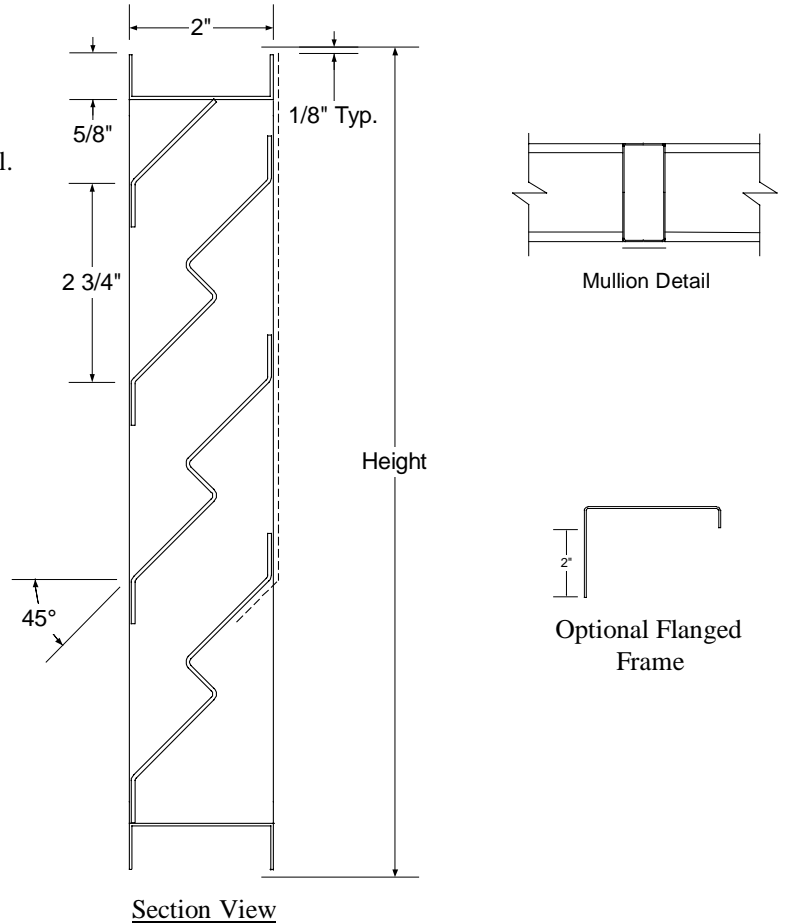
- Frame:** 18ga. galvanized steel channel frame.
- Blades:** 18ga. galvanized steel.
- Screen:** 1/2" x 1/2" x 19ga. galvanized steel.
- Finish:** Standard mill.
- Minimum size:** 8"w x 8"h.
- Maximum size:** 72"w x 96"h.  
 Multiple section - unlimited size.

## Options

- Flanged frame.
- Architectural mullions.
- Sill extension.
- Sleeves.
- Sub frame (requires flanged louver).
- Screens - Many variations of screens are available, consult factory.
- Finishes - Many types of finishes are available, consult factory.
- Other options are available, consult factory.

## Notes

1. Width x height are nominal opening dimensions. Unless specified otherwise, units will be constructed 1/4" undersize.
2. Metal Form reserves the right to improve design or change specifications at any time.



Tag	Qty.	Width	Height	No. of Panels (W x H)	Options	Finishes/Specify	Remarks

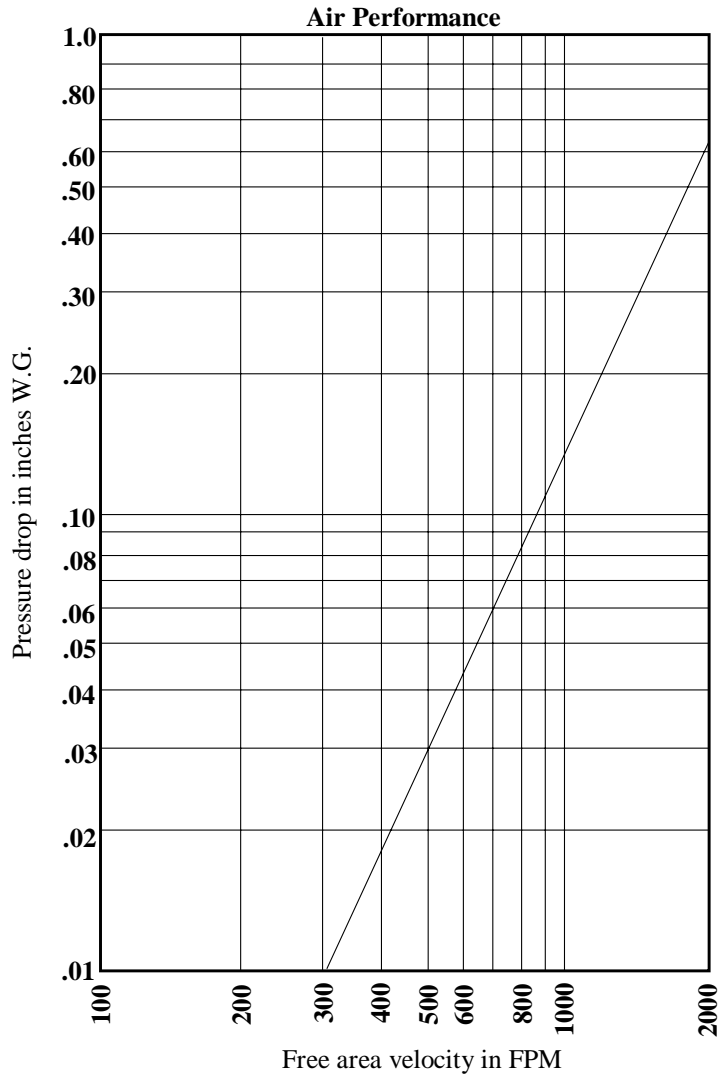
**Project:** \_\_\_\_\_  
**Architect:** \_\_\_\_\_  
**Engineer:** \_\_\_\_\_  
**Contractor:** \_\_\_\_\_

©1998 Metal Form Manufacturing Co., Inc.  
 Form No. L-1998

Refer to back page for performance data.

# Model MFL-19

## Performance Data



Test unit size 48" x 48"  
 Graph is corrected to standard air density .075 lbs. per cubic feet.  
 Ratings do not include the effects of a bird screen.

**Free Area Chart - Sq. Ft.**

<b>96</b>	1.96	3.07	4.19	5.31	6.42	7.54	8.66	9.77	10.89	12.01	13.13
<b>90</b>	1.84	2.89	3.94	4.99	6.03	7.08	8.13	9.18	10.23	11.28	12.33
<b>84</b>	1.72	2.70	3.68	4.66	5.65	6.63	7.61	8.59	9.57	10.55	11.54
<b>78</b>	1.60	2.51	3.43	4.34	5.26	6.17	7.08	8.00	8.91	9.83	10.74
<b>72</b>	1.45	2.28	3.12	3.95	4.78	5.61	6.44	7.27	8.10	8.93	9.76
<b>66</b>	1.30	2.05	2.79	3.54	4.28	5.03	5.77	6.52	7.26	8.01	8.75
<b>60</b>	1.18	1.86	2.54	3.22	3.89	4.57	5.25	5.92	6.60	7.28	7.96
<b>54</b>	1.07	1.68	2.29	2.89	3.50	4.11	4.72	5.33	5.94	6.55	7.16
<b>48</b>	.95	1.49	2.03	2.57	3.11	3.66	4.20	4.74	5.28	5.82	6.36
<b>42</b>	.82	1.29	1.76	2.23	2.70	3.17	3.63	4.10	4.57	5.04	5.51
<b>36</b>	.67	1.05	1.43	1.81	2.19	2.57	2.95	3.23	3.71	4.09	4.47
<b>30</b>	.53	.84	1.14	1.45	1.75	2.06	2.36	2.67	2.97	3.28	3.58
<b>24</b>	.41	.65	.89	1.13	1.36	1.60	1.84	2.07	2.31	2.55	2.78
<b>18</b>	.30	.47	.63	.80	.97	1.14	1.31	1.48	1.65	1.82	1.99
<b>12</b>	.18	.28	.38	.48	.58	.69	.79	.89	.99	1.09	1.19
	<b>12</b>	<b>18</b>	<b>24</b>	<b>30</b>	<b>36</b>	<b>42</b>	<b>48</b>	<b>54</b>	<b>60</b>	<b>66</b>	<b>72</b>

Width