



METAL FORM MANUFACTURING CO., INC  
 5960 WEST WASHINGTON STREET  
 PHOENIX, ARIZONA 85043  
 TELEPHONE: 602-233-1211 FAX: 602-233-2033  
 WEBSITE ADDRESS: WWW.MFMCA.COM

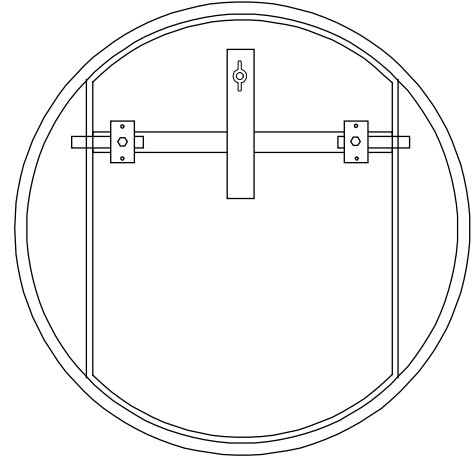
# Model MFD-36CBD

## Single Blade Round Counterbalanced Damper

### Steel

### Specifications

- Frame:** 12ga. Galvanized rolled steel, 4" thru 7".  
 10ga. Galvanized rolled steel, 8" thru 20".  
 3/16" x 2" H.R. bar, 21" and above.
- Blades:** 16ga. Galvanized steel with v-groove reinforcement.
- Bearings:** Self-lubricating bronze.
- Axles:** Corrosion resistant 1/2" die-cast zinc.
  
- Max. Velocity:** 2000 FPM @ 4" w.g.
- Minimum size:** 10" Diameter.
- Maximum size:** 24" Diameter.

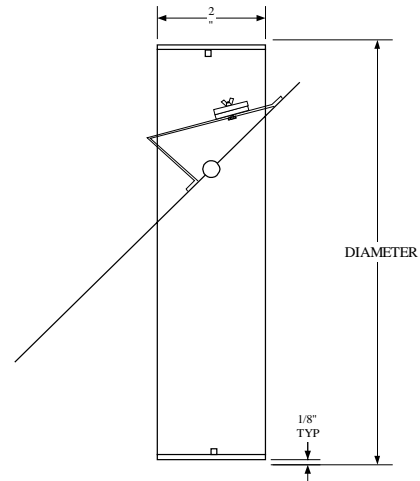


### Options

- Flanged frame.
- Operators.
- Sleeves.
- Various materials and gauges are available, consult factory.
- Other options are available, consult factory.

### Notes

1. Diameter is nominal opening dimension.  
 Unless specified otherwise, units will be constructed 1/4" undersize.
2. Metal Form reserves the right to improve design or change specifications at any time.



Section View

Tag	Qty.	Dia.	Options	Finishes/Specify	Remarks

**Project:** \_\_\_\_\_  
**Architect:** \_\_\_\_\_  
**Engineer:** \_\_\_\_\_  
**Contractor:** \_\_\_\_\_