



METAL FORM MANUFACTURING CO., INC
 5960 WEST WASHINGTON STREET
 PHOENIX, ARIZONA 85043
 TELEPHONE: 602-233-1211 FAX: 602-233-2033
 WEBSITE ADDRESS: WWW.MFMCA.COM

Model MFD-36 Round Control Damper Galvanized Steel

Specifications

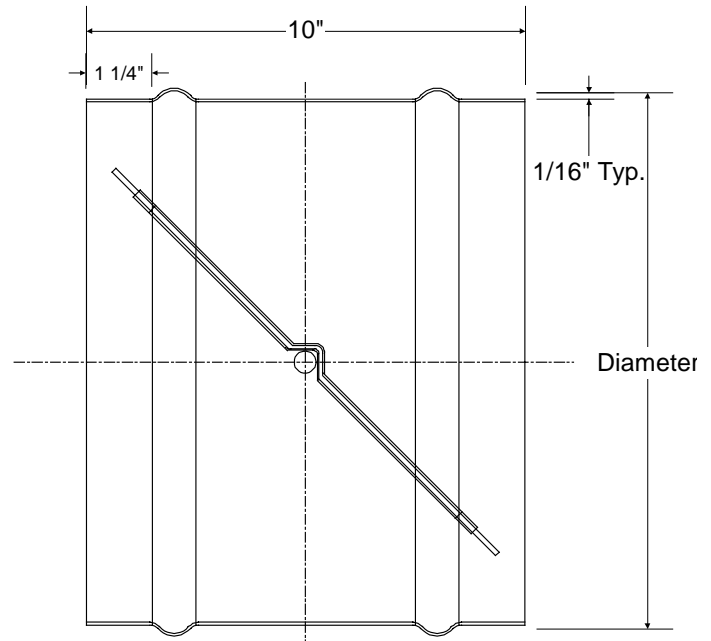
- Frame:** 18ga. Galvanized steel rolled frame with bead reinforcements.
- Blades:** Two layers of galvanized steel equal to 14ga. equivalent thickness.
- Seal:** Neoprene seal fully encompassing blade edges.
- Bearings:** Self-lubricating bronze.
- Axes:** 1/2" Diameter plated steel with 6" extension.
- Max. Temperature:** 200 Degrees F.
- Max. Velocity:** 3000 FPM @ 6" w.g.
- Minimum size:** 6" Diameter.
- Maximum size:** 24" Diameter.

Options

- Stainless steel construction.
- Operators.
- Various materials and gauges are available, consult factory.
- Other options are available, consult factory.

Notes

1. Diameters are nominal duct dimensions. Unless specified otherwise, units will be constructed 1/8"undersize.
2. Metal Form reserves the right to improve design or change specifications at any time.



Section View

Tag	Qty.	Diameter	Length	Options	Finishes/Specify	Remarks

Project: _____
Architect: _____
Engineer: _____
Contractor: _____