



METAL FORM MANUFACTURING CO., INC
 5960 WEST WASHINGTON STREET
 PHOENIX, ARIZONA 85043
 TELEPHONE: 602-233-1211 FAX: 602-233-2033
 WEBSITE ADDRESS: WWW.MFMCA.COM

Model MFD-33HD1 Counterbalanced Backdraft Damper Heavy Duty / Aluminum Blade

Specifications

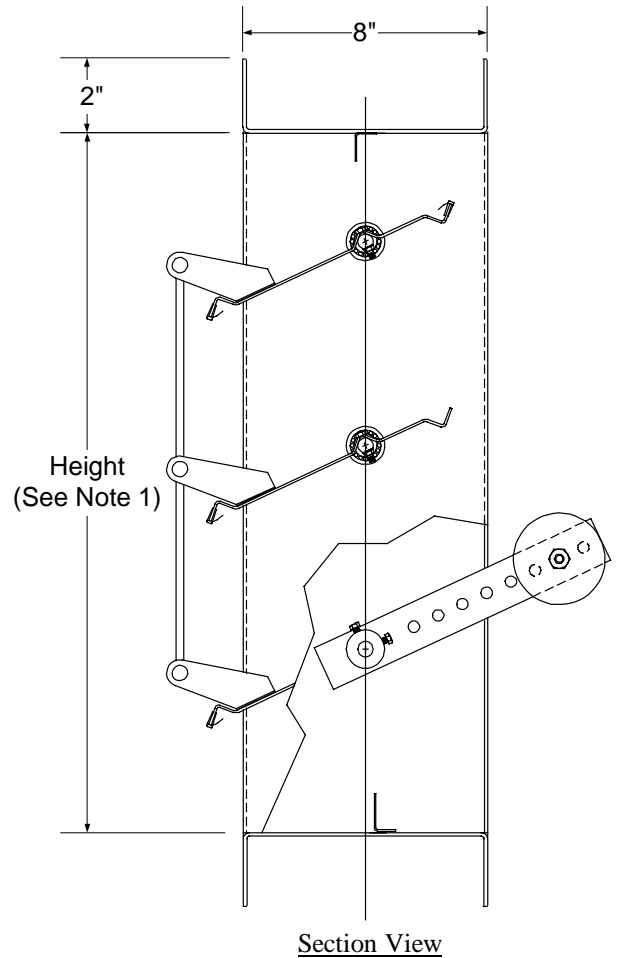
- Frame:** 14ga. Galvanized steel channel frame.
- Blades:** .080" aluminum triple-v-groove approximately 6" wide.
- Bearings:** Press fit ball bearings.
- Axles:** Corrosion resistant 1/2" die-cast zinc.
- Seals:** PVC grip seal.
- Counterweights:** Externally mounted to extended rod. Field adjustable.
- Linkage:** Plated steel brackets, brass pivots, 1/4" diameter linkage rod.
- Max. Velocity:** 2500 FPM @ 3" w.g.
- Minimum size:** 12" x 12" single blade
- Maximum single section:** 48"w x 72"h.

Options

- Stainless steel frame construction.
- Stainless steel hardware.
- Various materials and gauges are available, consult factory.
- Other options available, consult factory.

Notes

1. Width x height are actual dimensions, measured to the I.D. of the flanged frame.
2. Metal Form reserves the right to improve design or change specifications at any time.



Tag	Qty.	Width	Height	No. of Panels (W x H)	Options	Finishes/Specify	Remarks

Project: _____
Architect: _____
Engineer: _____
Contractor: _____