



METAL FORM MANUFACTURING CO., INC
 5960 WEST WASHINGTON STREET
 PHOENIX, ARIZONA 85043
 TELEPHONE: 602-233-1211 FAX: 602-233-2033
 WEBSITE ADDRESS: WWW.MFMCA.COM

Model MFA-13

Extruded Aluminum

Adjustable Louver

4" Deep Plain Blade

Specifications

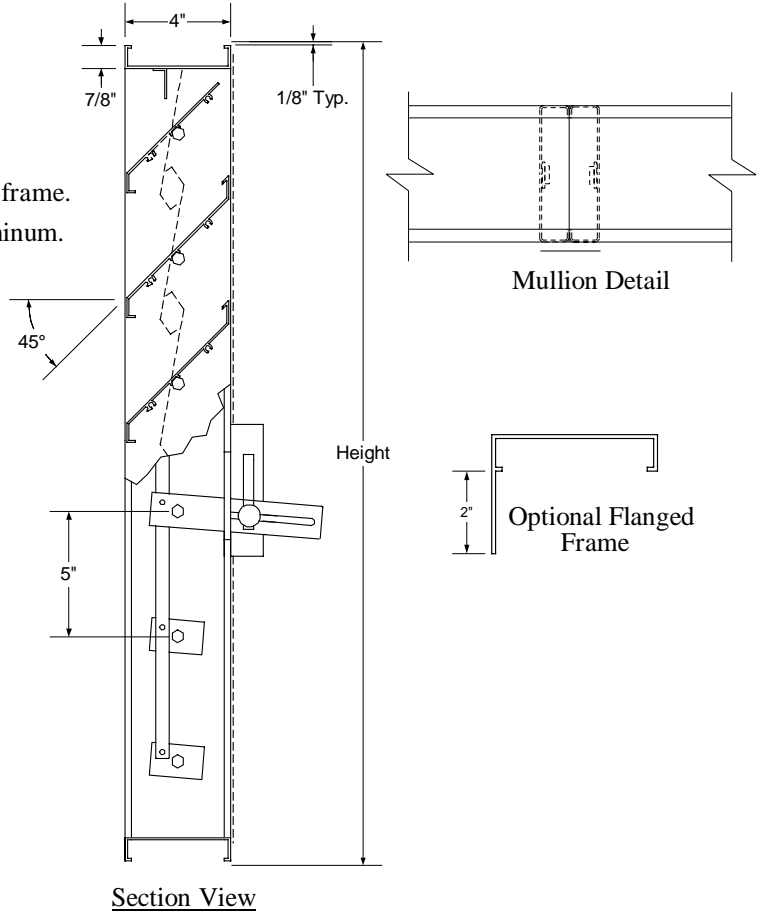
- Frame:** .090" 6063-T5 extruded aluminum channel frame.
- Blades:** .081" 6063-T5 extruded aluminum.
- Bearings:** Molded nylon.
- Axles:** 7/16" hex plated steel.
- Linkage:** Heavy duty plated steel concealed in frame.
- Screen:** 1/2" x .051" flattened expanded aluminum.
- Finish:** Standard mill.
- Minimum size:** 12"w x 12"h.
- Maximum size:** 60"w x 96"h.
Multiple section - unlimited size.

Options

- Flanged frame.
- Blade edge seals.
- Stainless steel side seals.
- Sill extension.
- Sleeves.
- Sub frame (requires flanged louver).
- Screens - Many variations of screens are available, consult factory.
- Finishes - Many types of finishes are available, consult factory.
- Other options available, consult factory.

Notes

1. Width x height are nominal opening dimensions.
Unless specified otherwise, units will be constructed 1/4" undersize.
2. Metal Form reserves the right to improve design or change specifications at any time.



Tag	Qty.	Width	Height	No. of Panels (W x H)	Options	Finishes/Specify	Remarks

Project: _____
Architect: _____
Engineer: _____
Contractor: _____

©1998 Metal Form Manufacturing Co., Inc.
Form No. A-1398

Refer to back page for performance data.

