

Transfer Silencers



Commercial Acoustics
 5960 W. WASHINGTON STREET
 PHOENIX, ARIZONA 85043-3523
 (602) 233-2322 FAX 233-2033

A DIVISION OF METAL FORM MANUFACTURING

ENGINEERING DATA SHEET

ACOUSTICAL PERFORMANCE

NOISE REDUCTION (NR) EXPRESSED IN DECIBELS, dB

NR is the difference between the sound pressure levels between two rooms separated by a wall containing a TRANSFER SILENCER.

ITEM AND DESCRIPTION	OCTAVE BAND NUMBERS								SPEECH INTERFERENCE LEVEL (SIL)*
				SPEECH INTERFERENCE BANDS					
	1	2	3	4	5	6	7	8	
TS	23	31	36	40	51	57	61	52	49
CS	15	21	25	32	43	49	49	42	41
DS	11	15	18	22	27	36	39	33	28
GLASS 1/8" THICK	4	9	14	20	25	27	27	27	26
WINDOW 2 1/4" PANES 1/2" AIR SPACE	19	19	19	30	38	38	33	26	36
WINDOW 2 1/8" PANES 1 1/2" AIR SPACE	27	30	32	38	48	46	46	47	47
DOORS THIN, NORMALLY HUNG	19	23	25	32	31	31	29	32	30
DOORS THICK, TIGHT CLOSURE	22	25	28	34	35	39	41	45	38
WALLS	23	29	31	39	45	48	52	55	48
FLOORS and CEILINGS	USUALLY PROVIDE SATISFACTORY PRIVACY EXCEPT FOR VERY LOUD MUSIC, LOUD CONVERSATION, FOOT STEPS, DANGINGS, ETC.								

AIR FLOW DATA-IN CFM

MODEL	STATIC PRESSURE LOSS, INCHES H ₂ O				
	0.05	0.10	0.15	0.20	0.25
143	121	178	221	252	282
145	172	257	320	365	410
	244	363	444	507	568
303	265	380	470	542	608
305	380	548	674	775	870
	530	768	943	1081	1215
423	370	535	660	759	850
425	530	768	944	1081	1215
	741	1075	1320	1515	1703
CS	358	505	620	715	800
	205	286	350	410	460

*SPEECH INTERFERENCE LEVEL (SIL) is the average noise reduction, in the three speech-interference octave bands 4, 5, and 6 (500, 1000, and 2000 Hz center frequencies, respectively).

Transfer Silencers



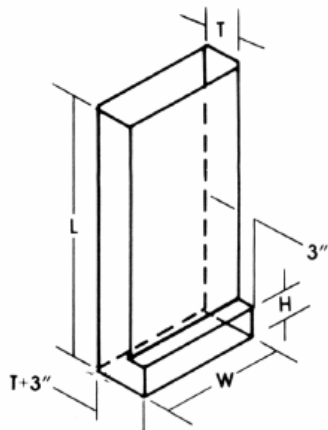
Commercial Acoustics
 5960 W. WASHINGTON STREET
 PHOENIX, ARIZONA 85043-3523
 (602) 233-2322 FAX 233-2033

A DIVISION OF METAL FORM MANUFACTURING

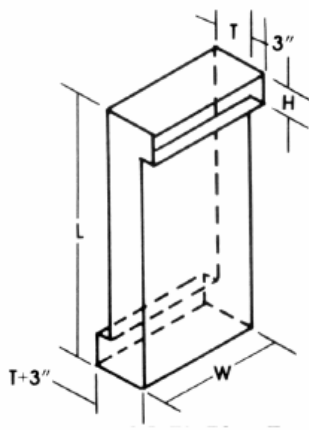
SPECIFICATIONS

STANDARD CONSTRUCTION: Shell - 22 gauge galvanized steel
 Baffles - 22 gauge galvanized steel
 Fill - inorganic mineral glass fiber

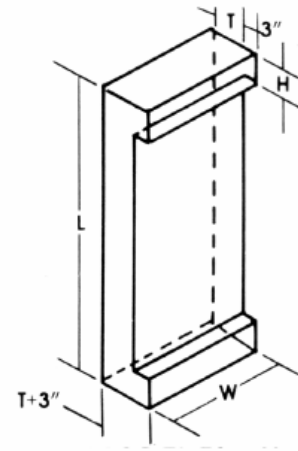
MODEL	W	H	T	LENGTH				
				DS	CS	L	Z	U
TS-143	14	6	3 1/2	-	-	42	48	48
TS-145	14	8	5	-	-	40	48	48
TS-147	14	10	7	-	-	38	48	48
TS-303	30	6	3 1/2	-	-	42	48	48
TS-305	30	8	5	-	-	40	48	48
TS-307	30	10	7	-	-	38	48	48
TS-423	42	6	3 1/2	-	-	42	48	48
TS-425	42	8	5	-	-	40	48	48
TS-427	42	10	7	-	-	38	48	48
DS	22	3	4	24	-	-	-	-
CS	22	8	8	-	24	-	-	-



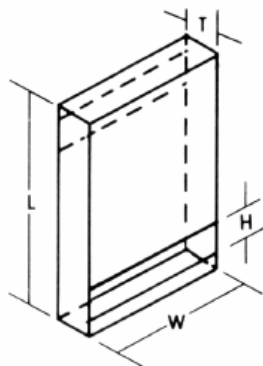
MODEL TS-L



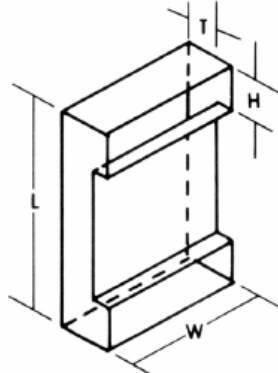
MODEL TS-Z



MODEL TS-U



MODEL DS



MODEL CS

STANDARD CONSTRUCTION:
 Shell - 22 gauge galvanized steel
 Baffles - 22 gauge galvanized perforated steel
 Fill - inorganic mineral glass fiber