



**Commercial Acoustics**  
 5960 W. WASHINGTON STREET  
 PHOENIX, ARIZONA 85043-3523  
 (602) 233-2322 FAX 233-2033

# Model MFLA-4-36 Fabricated Acoustical Louver 4" Deep Plain Blade

A DIVISION OF METAL FORM MANUFACTURING

## Specifications

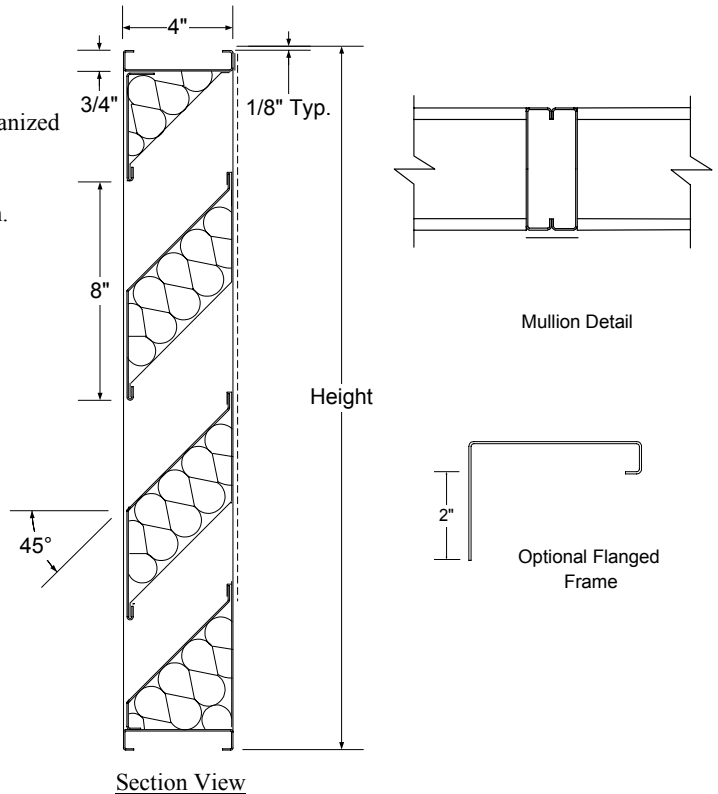
- Frame:** 18ga. galvanized channel frame.
- Blades:** 18ga. galvanized blade / 22ga. galvanized perforated liner.
- Insulation:** 2 lb. density fibreglass.
- Screen:** 1/2" x 1/2" x 19ga galvanized mesh.
- Finish:** Standard mill.
- Minimum size:** 12"w x 18"h.
- Maximum size:** 72"w x 120"h.
- size:** Multiple section - unlimited size.

## Options

- Flanged frame.
- Sill extension.
- Sleeves.
- Sub frame (requires flanged louver).
- Screens - Many variations of screens are available, consult factory.
- Finishes - Many types of finishes are available, consult factory.
- Other options are available, consult factory.

## Notes

1. Width x height are nominal opening dimensions. Unless specified otherwise, units will be constructed 1/4" undersize.
2. Metal Form reserves the right to improve design or change specifications at any time.



Tag	Qty.	Width	Height	No. of Panels (W x H)	Options	Finishes/Specify	Remarks

**Project:** \_\_\_\_\_  
**Architect:** \_\_\_\_\_  
**Engineer:** \_\_\_\_\_  
**Contractor:** \_\_\_\_\_

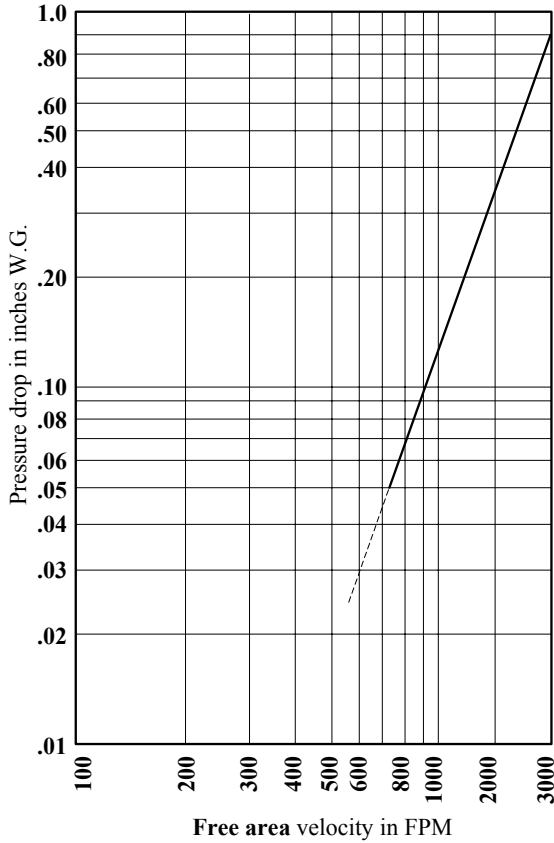
©May 2012 Metal Form Manufacturing Co., Inc.  
 Form No. LA-4-3612  
 Supersedes Form No. LA-4-3698

Refer to back page for performance data.

# Model MFLA-4-36

## Performance Data

**Air Performance**



**Acoustical Performance**

Octave Band/Freq. (Hz)	1/63	2/125	3/250	4/500	5/1k	6/2k	7/4k	8/8k
Transmission Loss (dB)	5	4	5	7	8	12	13	14
Noise Reduction (dB)	11	10	10	11	14	18	21	20

**Aerodynamic Performance**

PRESSURE LOSS, iwg	0.05	0.15	0.20	0.35	0.45	0.60	0.75	1.00
FACE VELOCITY, fpm	200	346	400	529	600	693	775	895

Test unit size 48" x 48"  
 Graphs are corrected to standard air density .075 lbs. per cubic feet.  
 Ratings do not include the effects of a bird screen.

**Free Area Chart - Sq. Ft.**

<b>120</b>	2.60	4.09	5.57	7.06	8.54	10.03	11.51	13.00	14.49	15.97	17.46
<b>108</b>	2.35	3.69	5.03	6.37	7.71	9.05	10.39	11.73	13.07	14.42	15.76
<b>96</b>	2.09	3.31	4.54	5.76	6.98	8.21	9.43	10.65	11.88	13.10	14.32
<b>84</b>	1.89	2.99	4.10	5.20	6.31	7.41	8.52	9.62	10.73	11.83	12.94
<b>72</b>	1.52	2.42	3.31	4.20	5.09	5.98	6.87	7.77	8.66	9.55	10.44
<b>66</b>	1.45	2.34	3.21	4.07	4.94	5.80	6.66	7.53	8.39	9.26	10.12
<b>60</b>	1.32	2.09	2.87	3.64	4.42	5.19	5.96	6.74	7.51	8.28	9.06
<b>54</b>	1.13	1.80	2.46	3.12	3.78	4.45	5.11	5.77	6.44	7.10	7.76
<b>48</b>	0.99	1.52	2.08	2.64	3.20	3.76	4.32	4.88	5.44	6.00	6.56
<b>42</b>	0.91	1.44	1.98	2.51	3.04	3.58	4.11	4.64	5.18	5.71	6.24
<b>36</b>	0.76	1.20	1.63	2.08	2.52	2.97	3.41	3.85	4.29	4.73	5.18
<b>30</b>	0.57	0.90	1.23	1.56	1.89	2.22	2.56	2.89	3.22	3.55	3.88
<b>24</b>	0.39	0.62	0.85	1.08	1.31	1.53	1.76	1.99	2.22	2.45	2.68
<b>18</b>	0.34	0.55	0.75	0.95	1.15	1.35	1.55	1.76	1.96	2.16	2.36
	<b>12</b>	<b>18</b>	<b>24</b>	<b>30</b>	<b>36</b>	<b>42</b>	<b>48</b>	<b>54</b>	<b>60</b>	<b>66</b>	<b>72</b>

Width (inches)

Height (inches)